

DATA SHEET

LTE42005S

NPN microwave power transistor

Product specification
Supersedes data of June 1992

1997 Feb 21

NPN microwave power transistor

LTE42005S

FEATURES

- Diffused emitter ballasting resistors provide excellent current sharing and withstanding a high VSWR
- Gold metallization realizes very stable characteristics and excellent lifetime
- Input matching cell improves input impedance and allows an easier design of circuits

APPLICATION

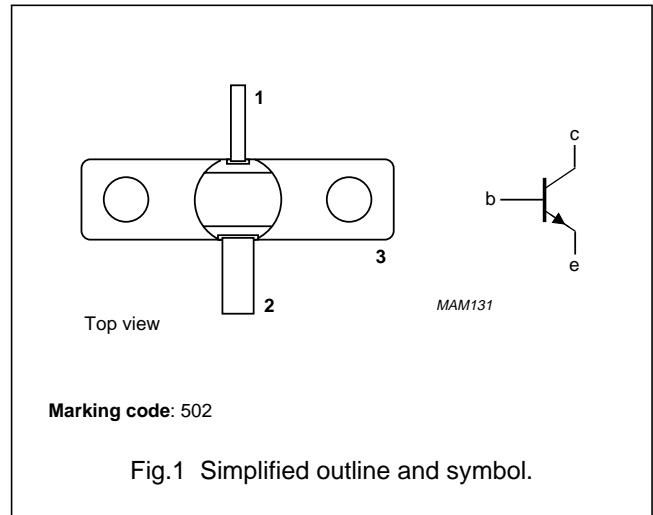
- Common emitter class-A linear power amplifiers up to 4.2 GHz.

DESCRIPTION

NPN silicon planar epitaxial microwave power transistor in a SOT440A metal ceramic flange package with the emitter connected to the flange.

PINNING - SOT440A

PIN	DESCRIPTION
1	collector
2	base
3	emitter connected to flange



QUICK REFERENCE DATA

Microwave performance up to $T_{mb} = 25\text{ °C}$ in a common emitter class-A amplifier.

MODE OF OPERATION	f (GHz)	V_{CE} (V)	I_c (mA)	P_{L1} (mW)	G_{po} (dB)	Z_i (Ω)	Z_L (Ω)
Class-A (CW) linear	4.2	18	110	≥ 450	≥ 6.6	$100 + j40$	$4 + j4$

WARNING

Product and environmental safety - toxic materials

This product contains beryllium oxide. The product is entirely safe provided that the BeO slab is not damaged. All persons who handle, use or dispose of this product should be aware of its nature and of the necessary safety precautions. After use, dispose of as chemical or special waste according to the regulations applying at the location of the user. It must never be thrown out with the general or domestic waste.

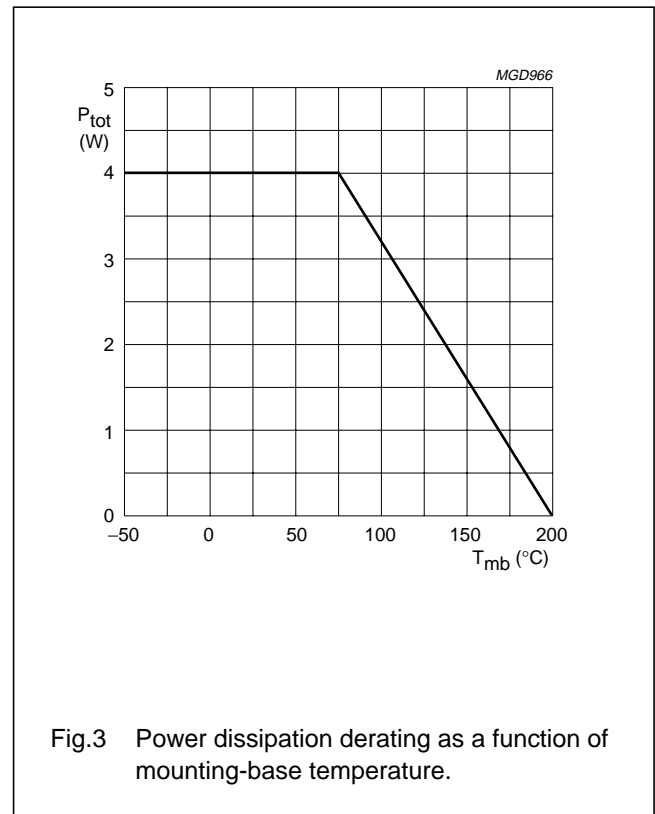
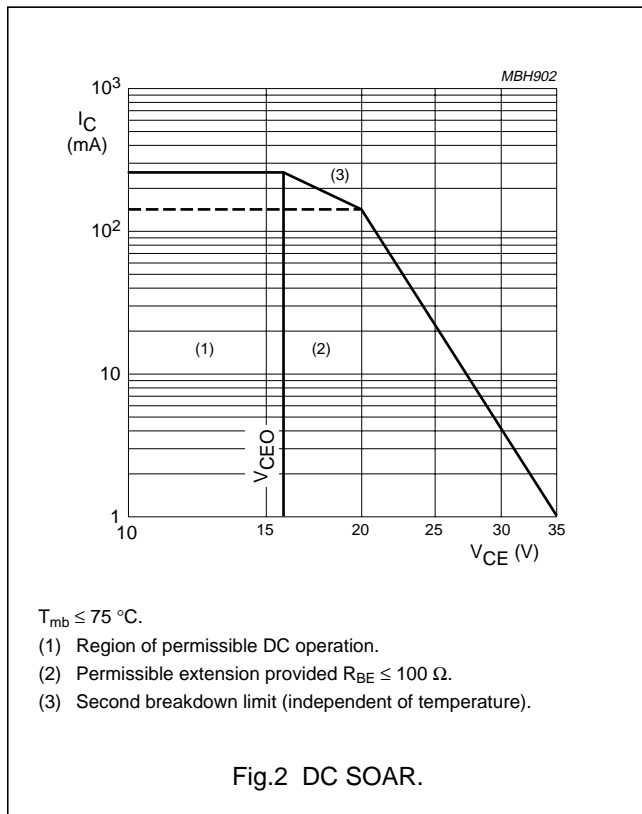
NPN microwave power transistor

LTE42005S

LIMITING VALUES

In accordance with the Absolute Maximum Rating System (IEC 134).

SYMBOL	PARAMETER	CONDITIONS	MIN.	MAX.	UNIT
V _{CBO}	collector-base voltage	open emitter	–	40	V
V _{CER}	collector-emitter voltage	R _{BE} = 100 Ω	–	35	V
V _{CEO}	collector-emitter voltage	open base	–	16	V
V _{EBO}	emitter-base voltage	open collector	–	3	V
I _C	collector current (DC)		–	250	mA
P _{tot}	total power dissipation	T _{mb} ≤ 75 °C	–	4	W
T _{stg}	storage temperature		–65	+200	°C
T _j	operating junction temperature		–	200	°C
T _{slid}	soldering temperature	at 0.3 mm from case; t = 10 s	–	235	°C



NPN microwave power transistor

LTE42005S

THERMAL CHARACTERISTICS

SYMBOL	PARAMETER	CONDITIONS	MAX.	UNIT
$R_{th\ j-mb}$	thermal resistance from junction to mounting-base	$T_j = 75\text{ °C}$	36	K/W
$R_{th\ mb-h}$	thermal resistance from mounting-base to heatsink	$T_j = 75\text{ °C}$; note 1	0.7	K/W

Note

1. See "Mounting recommendations in the General part of handbook SC19a".

CHARACTERISTICS

$T_{mb} = 25\text{ °C}$ unless otherwise specified

SYMBOL	PARAMETER	CONDITIONS	MIN.	TYP.	MAX.	UNIT
I_{CBO}	collector cut-off current	$V_{CB} = 20\text{ V}; I_E = 0$	–	–	0.1	μA
		$V_{CB} = 40\text{ V}; I_E = 0$	–	–	0.25	mA
I_{CER}	emitter cut-off current	$V_{CE} = 35\text{ V}; R_{BE} = 100\ \Omega$	–	–	1	mA
I_{EBO}	emitter cut-off current	$V_{EB} = 1.5\text{ V}; I_C = 0$	–	–	0.2	μA
h_{FE}	DC current gain	$V_{CE} = 5\text{ V}; I_C = 110\text{ mA}$	15	–	150	
C_{cb}	collector-base capacitance	$V_{CB} = 20\text{ V}; V_{EB} = 1.5\text{ V}; I_E = I_C = 0; f = 1\text{ MHz}$	–	0.5	–	pF
C_{ce}	collector-emitter capacitance	$V_{CE} = 20\text{ V}; V_{EB} = 1.5\text{ V}; I_E = I_C = 0; f = 1\text{ MHz}$	–	1.5	–	pF
C_{eb}	emitter-base capacitance	$V_{CB} = 10\text{ V}; V_{EB} = 1\text{ V}; I_C = I_E = 0; f = 1\text{ MHz}$	–	6.5	–	pF

NPN microwave power transistor

LTE42005S

Table 1 Scattering parameters: $V_{CE} = 18$ V; $I_C = 110$ mA (V_{CE} and I_C regulated); $T_{mb} = 25$ °C; $Z_0 = 50$ Ω ; typical values. (The figures given between brackets are values in dB).

f (MHz)	S ₁₁		S ₂₁		S ₁₂		S ₂₂	
	MAGNITUDE (ratio)	ANGLE (deg)	MAGNITUDE (ratio)	ANGLE (deg)	MAGNITUDE (ratio)	ANGLE (deg)	MAGNITUDE (ratio)	ANGLE (deg)
500	0.76	-176	0.022 (-33.2)	37	8.13 (18.2)	85	0.35	-62
600	0.75	180	0.023 (-32.8)	37	6.95 (16.8)	78	0.34	-66
700	0.76	177	0.023 (-32.8)	40	5.95 (15.5)	73	0.34	-71
800	0.76	174	0.024 (-32.5)	41	5.25 (14.4)	67	0.35	-75
900	0.76	171	0.024 (-32.3)	42	4.69 (13.4)	62	0.35	-79
1000	0.75	168	0.026 (-31.8)	43	4.23 (12.5)	57	0.36	-83
1100	0.75	165	0.028 (-31.0)	43	3.88 (11.8)	53	0.37	-87
1200	0.74	163	0.031 (-30.1)	43	3.61 (11.2)	49	0.39	-90
1300	0.75	160	0.035 (-29.2)	43	3.36 (10.5)	44	0.40	-95
1400	0.74	162	0.037 (-28.5)	44	3.12 (9.9)	41	0.43	-98
1500	0.73	157	0.041 (-27.8)	46	2.95 (9.4)	37	0.43	-101
1600	0.73	155	0.045 (-27.0)	46	2.83 (9.0)	32	0.45	-104
1700	0.71	154	0.047 (-26.5)	44	2.70 (8.6)	28	0.47	-107
1800	0.70	151	0.049 (-26.1)	43	2.56 (8.2)	23	0.48	-110
1900	0.69	148	0.050 (-25.9)	42	2.44 (7.7)	19	0.50	-114
2000	0.68	143	0.051 (-25.9)	39	2.34 (7.4)	14	0.51	-116
2200	0.67	138	0.058 (-24.7)	36	2.16 (6.7)	4	0.55	-124
2400	0.65	134	0.067 (-23.5)	34	2.02(6.1)	-2	0.59	-129
2600	0.62	129	0.077 (-22.3)	31	1.95 (5.8)	-12	0.64	-134
2800	0.57	122	0.082 (-21.7)	25	1.84 (5.3)	-21	0.68	-138
3000	0.52	113	0.086 (-21.3)	21	1.78 (5.0)	-32	0.72	-143
3200	0.49	104	0.093 (-20.6)	16	1.67 (4.5)	-42	0.74	-150
3400	0.45	99	0.102 (-19.8)	13	1.62 (4.2)	-52	0.80	-157
3600	0.38	92	0.113 (-18.9)	8	1.52 (3.6)	-64	0.80	-163
3800	0.29	83	0.119 (-18.5)	6	1.43 (3.1)	-76	0.82	-170
4000	0.24	69	0.137 (-17.3)	2	1.27 (2.1)	-88	0.80	-179
4200	0.20	54	0.165 (-15.7)	-5	1.08 (0.7)	-98	0.68	171
4400	0.15	28	0.202 (-13.9)	-20	0.92 (0.8)	-100	0.51	172
4600	0.12	-36	0.206 (-13.7)	-38	0.93 (0.6)	-102	0.52	-174
4800	0.17	-86	0.195 (-14.2)	-52	0.97 (-0.3)	-110	0.63	-171
5000	0.24	-114	0.177 (-15.0)	-65	0.97 (-0.3)	-122	0.73	-174
5200	0.31	-137	0.164 (-15.7)	-73	0.93 (-0.6)	-133	0.79	-180
5400	0.41	-152	0.154 (-16.2)	-83	0.88 (-1.1)	-145	0.83	174
5600	0.48	-161	0.134 (-17.4)	-90	0.81 (-1.8)	-156	0.85	166
5800	0.53	-168	0.122 (-18.2)	-97	0.77 (-2.3)	-167	0.87	160
6000	0.56	-179	0.105 (-19.6)	-104	0.70 (-3.1)	-178	0.89	154

NPN microwave power transistor

LTE42005S

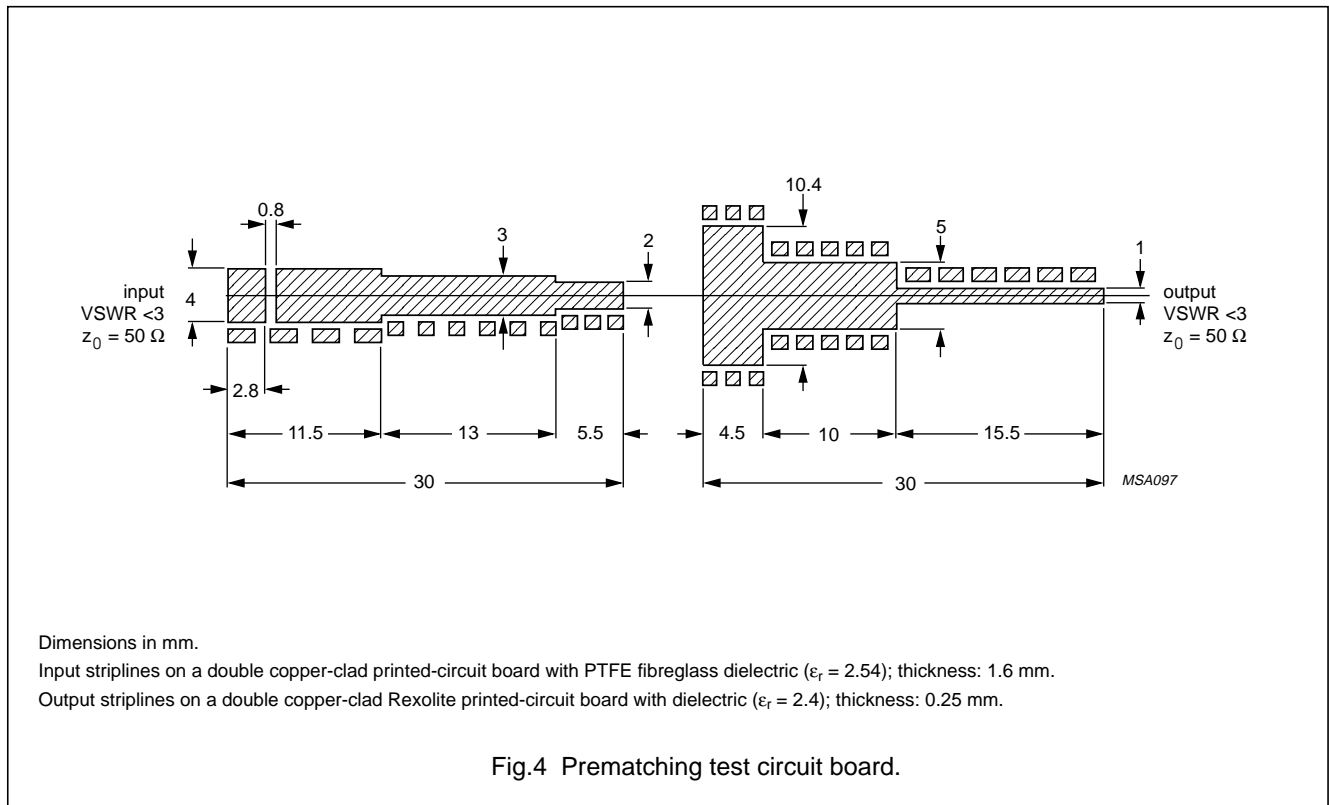
APPLICATION INFORMATION

Microwave performance up to $T_{mb} = 25\text{ }^\circ\text{C}$ in a common emitter class-A test circuit; note 1.

MODE OF OPERATION	f (GHz)	V _{CE} (V) ⁽²⁾	I _C (mA) ⁽²⁾	P _{L1} (mW) ⁽³⁾	G _{po} (dB) ⁽⁴⁾	Z _i (Ω)	Z _L (Ω)
Class-A (CW)	4.2	18	110	≥450 (26.5) typ. 550 (27.4)	≥6.6 typ. 7.2	100 + j40	4 + j4

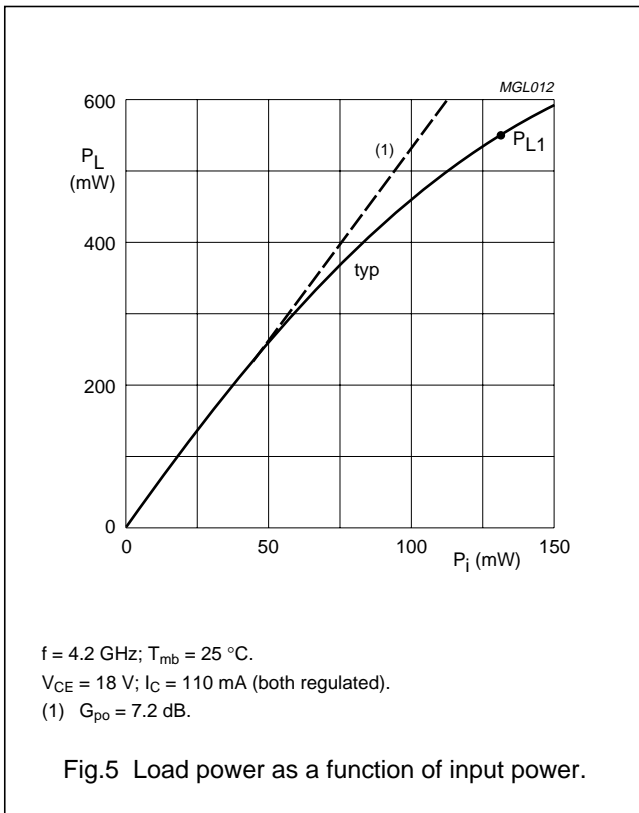
Notes

1. Circuit consists of prematching circuit boards in combination with complementary input and output slug tuners.
2. I_C and V_{CE} regulated.
3. Load power for 1 dB compressed power gain.
4. Low level power gain associated with P_{L1}.



NPN microwave power transistor

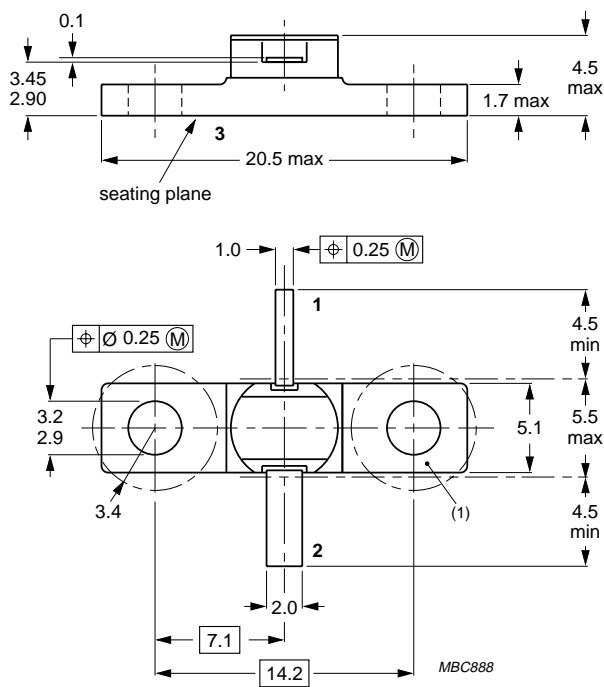
LTE42005S



NPN microwave power transistor

LTE42005S

PACKAGE OUTLINE



Dimensions in mm.
Torque on screw: Max. 0.4 Nm
Recommended screw: M2.5

Fig.6 SOT440A.

NPN microwave power transistor

LTE42005S

DEFINITIONS

Data Sheet Status	
Objective specification	This data sheet contains target or goal specifications for product development.
Preliminary specification	This data sheet contains preliminary data; supplementary data may be published later.
Product specification	This data sheet contains final product specifications.
Limiting values	
Limiting values given are in accordance with the Absolute Maximum Rating System (IEC 134). Stress above one or more of the limiting values may cause permanent damage to the device. These are stress ratings only and operation of the device at these or at any other conditions above those given in the Characteristics sections of the specification is not implied. Exposure to limiting values for extended periods may affect device reliability.	
Application information	
Where application information is given, it is advisory and does not form part of the specification.	

LIFE SUPPORT APPLICATIONS

These products are not designed for use in life support appliances, devices, or systems where malfunction of these products can reasonably be expected to result in personal injury. Philips customers using or selling these products for use in such applications do so at their own risk and agree to fully indemnify Philips for any damages resulting from such improper use or sale.

NPN microwave power transistor

LTE42005S

NOTES